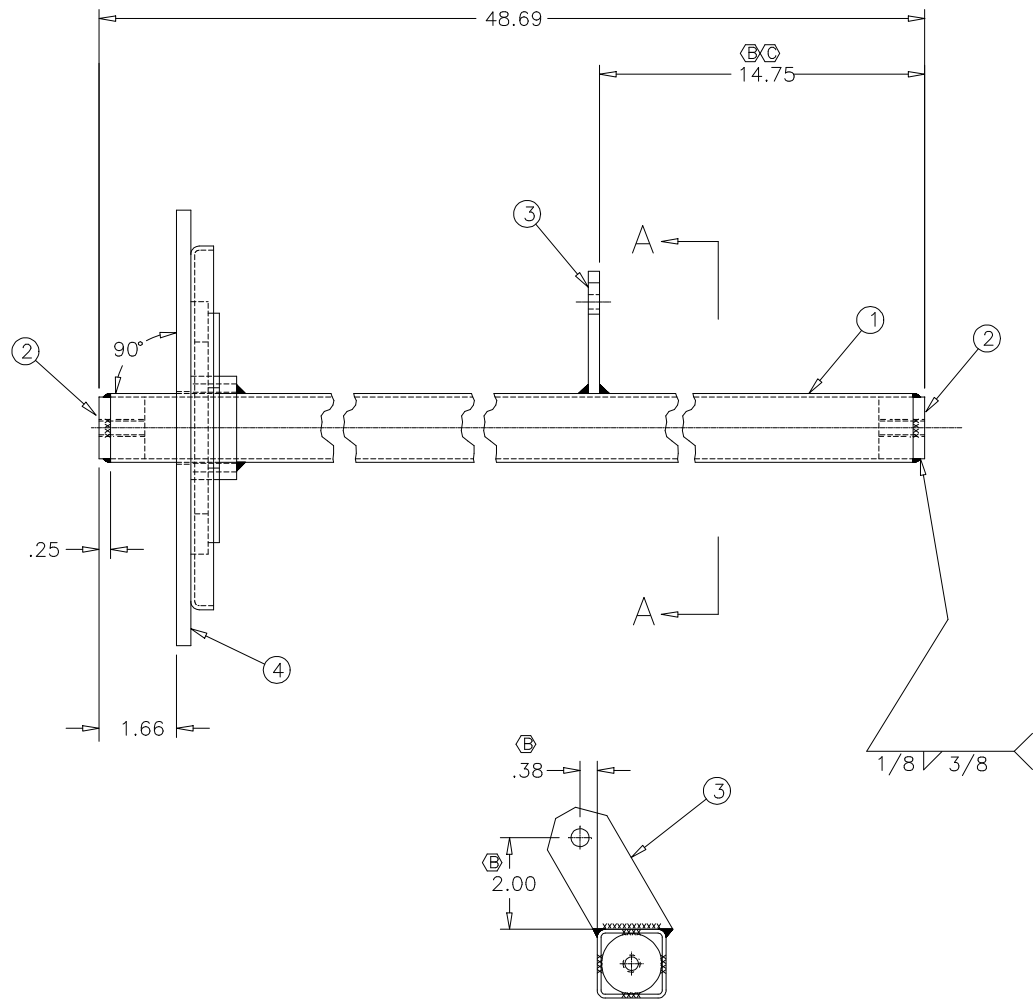
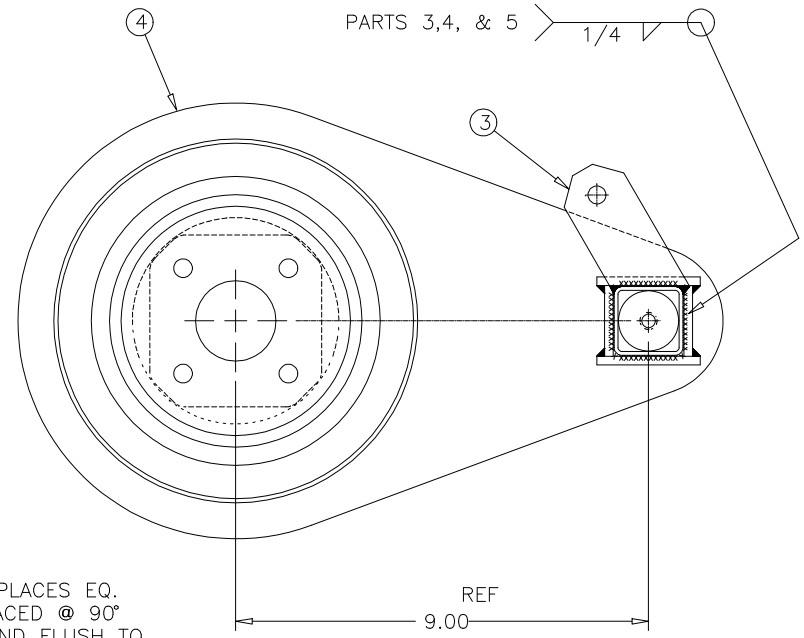


REV	ECN #	DATE	DESCRIPTION OF CHANGE-IS (WAS)	BY:
(A)	5555	8/28/96	RELEASED FOR PRODUCTION	JDH
(B)	5556	12/9/96	15.00 (14.00) .38 (1.06) 2.00 (3.19)	JDH
(C)	5939	2/13/97	CHG. DIM TO 14.75(15.00), MIRRORED SECT A-A	MM



SECTION A-A

4-PLACES EQ.
SPACED @ 90°
GRIND FLUSH TO
SIDES OF TUBE
IF NECESSARY.
TYP. BOTH ENDS.



318330C

Y BILL OF MATERIAL			
ITEM	PART #	DESCRIPTION	QTY
①	318346	TUBE- PIVOT	1
②	311156	MB PIVOT TUBE WD-END BAR	2
③	318423	PLATE WD MB PIVOT TUBE LIFT	1
④	313005	ASSY-PLATE WD-BRM MNT	1

REF: 312275

THIS DOCUMENT AND ALL INFORMATION CONTAINED IN THIS DOCUMENT ARE CONFIDENTIAL AND PROPRIETARY TO AAR POWERBOSS, INC. ("AAR"). UNAUTHORIZED POSSESSION OR USE THEREOF IS PROHIBITED. THIS DOCUMENT, OR ANY PART HEREOF, OR ANY INFORMATION CONTAINED HEREIN, MAY NOT BE DUPLICATED, REPRODUCED, OR DISCLOSED TO ANY PERSON FOR ANY PURPOSE EXCEPT AS SPECIFICALLY AUTHORIZED IN WRITING BY AAR. BY ACCEPTING THIS DOCUMENT, RECIPIENT AGREES TO COMPLY WITH THE FOREGOING AND TO RETURN THIS DOCUMENT TO AAR IMMEDIATELY UPON REQUEST. UNPUBLISHED--ALL RIGHTS RESERVED UNDER COPYRIGHT LAWS.

SOURCE:
PN. SEE BILL OF MATERIAL
MATL:
FINISH: PAINT MAROON
UNSPECIFIED TOLERANCES:
.X .1 ANGULAR:
.XX .03 X .1°
.XXX .010 X .5°
DES. ENG: TIM O'CONNOR
ENG. REL: 5555

AAR PowerBoss
Aberdeen, North Carolina 28315
PHONE (910) 944-2105 FAX (910) 944-7409
CAD BY: TO DATE: 6-18-96
DESCRIPTION
WELDMENT- PIVOT TUBE
PART NO. 318330 REV LEV C SHT NO. 1 OF 1